



## **RUBBER PRODUCTS**

# PIPE CLAMP CATALOG

# 2023

*The best value comes from the integrity of  
successful & working perfectly.*



**Ozgur Rubber** <sup>TM</sup>

EXTRUDED & MOLDED RUBBER  
PRODUCTS MANUFACTURER

[www.ozgurrubber.com](http://www.ozgurrubber.com)

## PIPE CLAMP PROFILES

Rubber Pipe Clamp profiles can be used for Clamps which are used for fixing hydraulic pipes, hoses and cables especially in application areas of hose clamps and pipe clamps.

These are usually used in the assembly of the pipes to the wall (vertically and horizontally), to the ceiling and to the ground.

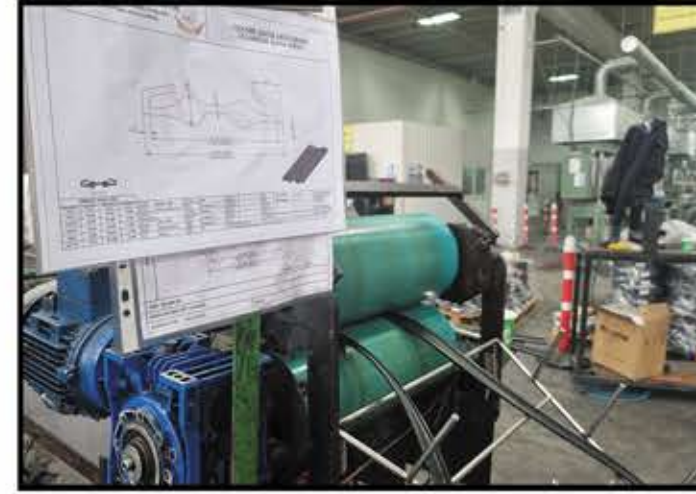
We manufacture **PVC**, **TPE** and **EPDM** profiles for pipe clamps in any size as our costumers requested.

Our pipe clamp seals are produced according to the;

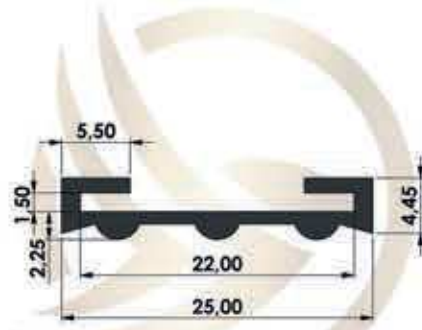
- Vibration Absorption,
- Ozone Resistance,
- Corrosion Resistance,
- Reclining Resistance,
- Deformation Resistance

### OZGUR RUBBER in Fixing industry:

- Over 200 Products
- 200 tonnes Monthly Production
- Used in more than 10 countries
- Available in EPDM, TPE, PVC
- Special designs for costumers
- Precise Cutting options
- Color options
- Referenced by 20 fixing companies



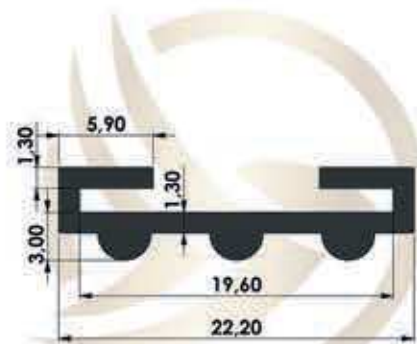
## OSLTR-0056



<b>Material</b>	EPDM- TPE - PVC
<b>Color</b>	Black
<b>Hardness</b>	50 - 80 Shore A
<b>Density</b>	1,10 - 1,50 gr/cm <sup>3</sup>
<b>Tolerance</b>	DIN ISO E2



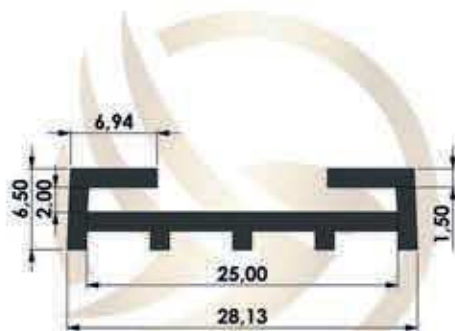
## OSLTR-0134



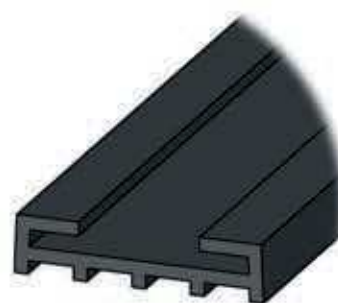
<b>Material</b>	EPDM- TPE - PVC
<b>Color</b>	Black
<b>Hardness</b>	50 - 80 Shore A
<b>Density</b>	1,10 - 1,50 gr/cm <sup>3</sup>
<b>Tolerance</b>	DIN ISO E2



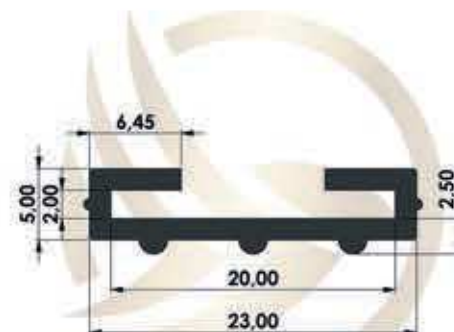
## OSLTR-0140



<b>Material</b>	EPDM- TPE - PVC
<b>Color</b>	Black
<b>Hardness</b>	50 - 80 Shore A
<b>Density</b>	1,10 - 1,50 gr/cm <sup>3</sup>
<b>Tolerance</b>	DIN ISO E2



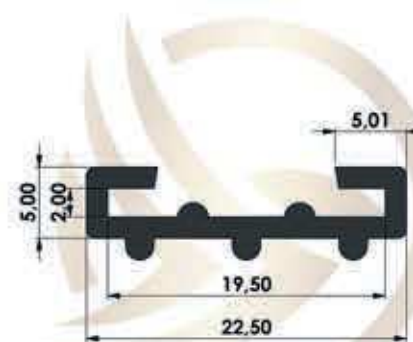
## OSLTR-0143



<b>Material</b>	EPDM- TPE - PVC
<b>Color</b>	Black
<b>Hardness</b>	50 - 80 Shore A
<b>Density</b>	1,10 - 1,50 gr/cm <sup>3</sup>
<b>Tolerance</b>	DIN ISO E2



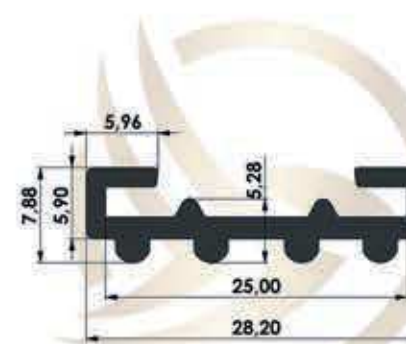
## OSLTR-0149



<b>Material</b>	EPDM- TPE - PVC
<b>Color</b>	Black
<b>Hardness</b>	50 - 80 Shore A
<b>Density</b>	1,10 - 1,50 gr/cm <sup>3</sup>
<b>Tolerance</b>	DIN ISO E2



## OSLTR-0150



<b>Material</b>	EPDM- TPE - PVC
<b>Color</b>	Black
<b>Hardness</b>	50 - 80 Shore A
<b>Density</b>	1,10 - 1,50 gr/cm <sup>3</sup>
<b>Tolerance</b>	DIN ISO E2



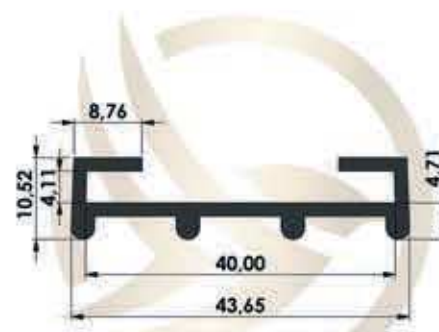
## OSLTR-0158



<b>Material</b>	EPDM- TPE - PVC
<b>Color</b>	Black
<b>Hardness</b>	50 - 80 Shore A
<b>Density</b>	1,10 - 1,50 gr/cm <sup>3</sup>
<b>Tolerance</b>	DIN ISO E2



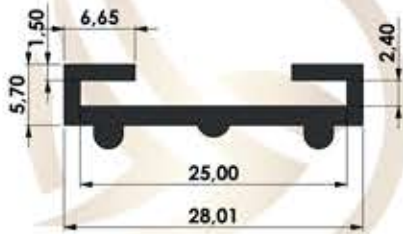
## OSLTR-0161



<b>Material</b>	EPDM- TPE - PVC
<b>Color</b>	Black
<b>Hardness</b>	50 - 80 Shore A
<b>Density</b>	1,10 - 1,50 gr/cm <sup>3</sup>
<b>Tolerance</b>	DIN ISO E2



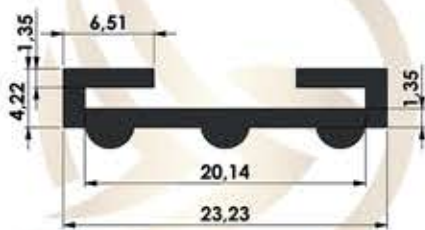
## OSLTR-0164



<b>Material</b>	EPDM- TPE - PVC
<b>Color</b>	Black
<b>Hardness</b>	50 - 80 Shore A
<b>Density</b>	1,10 - 1,50 gr/cm <sup>3</sup>
<b>Tolerance</b>	DIN ISO E2



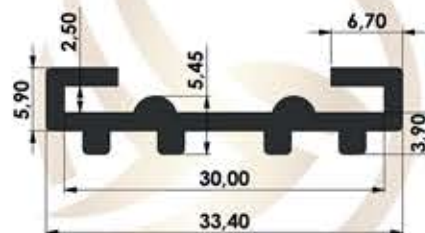
## OSLTR-0165



<b>Material</b>	EPDM- TPE - PVC
<b>Color</b>	Black
<b>Hardness</b>	50 - 80 Shore A
<b>Density</b>	1,10 - 1,50 gr/cm <sup>3</sup>
<b>Tolerance</b>	DIN ISO E2



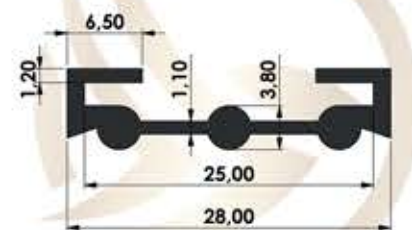
## OSLTR-0289



<b>Material</b>	EPDM- TPE - PVC
<b>Color</b>	Black
<b>Hardness</b>	50 - 80 Shore A
<b>Density</b>	1,10 - 1,50 gr/cm <sup>3</sup>
<b>Tolerance</b>	DIN ISO E2



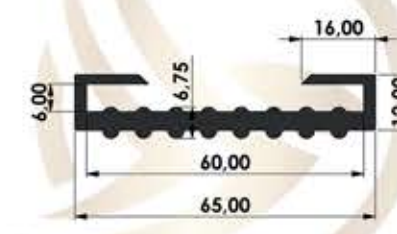
## OSLTR-0295



<b>Material</b>	EPDM- TPE - PVC
<b>Color</b>	Black
<b>Hardness</b>	50 - 80 Shore A
<b>Density</b>	1,10 - 1,50 gr/cm <sup>3</sup>
<b>Tolerance</b>	DIN ISO E2



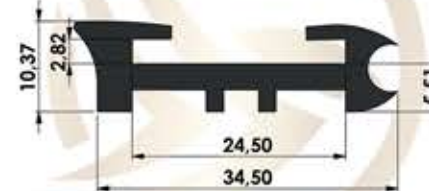
## OSLTR-0318



<b>Material</b>	EPDM- TPE - PVC
<b>Color</b>	Black
<b>Hardness</b>	50 - 80 Shore A
<b>Density</b>	1,10 - 1,50 gr/cm <sup>3</sup>
<b>Tolerance</b>	DIN ISO E2



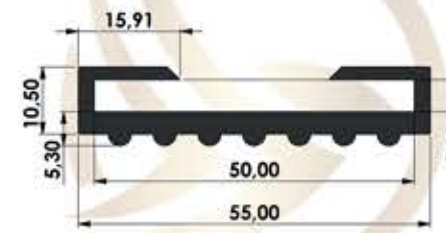
## OSLTR-0333



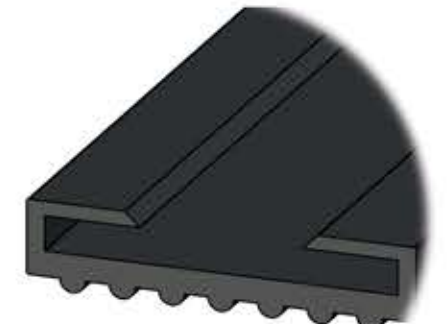
<b>Material</b>	EPDM- TPE - PVC
<b>Color</b>	Black
<b>Hardness</b>	50 - 80 Shore A
<b>Density</b>	1,10 - 1,50 gr/cm <sup>3</sup>
<b>Tolerance</b>	DIN ISO E2



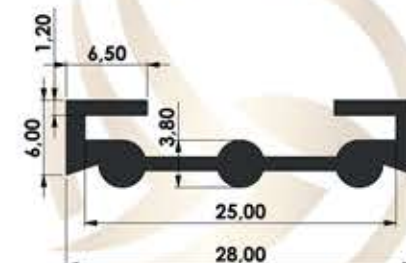
## OSLTR-0336



<b>Material</b>	EPDM- TPE - PVC
<b>Color</b>	Black
<b>Hardness</b>	50 - 80 Shore A
<b>Density</b>	1,10 - 1,50 gr/cm <sup>3</sup>
<b>Tolerance</b>	DIN ISO E2

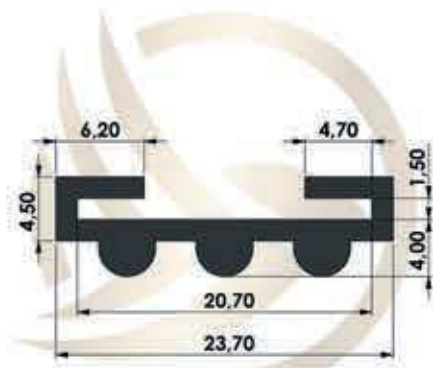


## OSLTR-0358



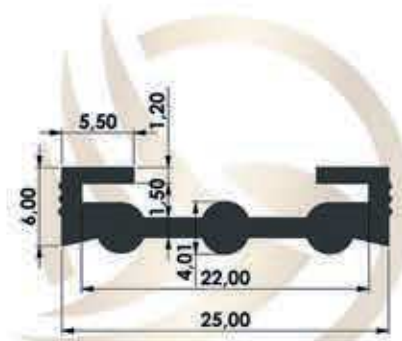
<b>Material</b>	EPDM- TPE - PVC
<b>Color</b>	Black
<b>Hardness</b>	50 - 80 Shore A
<b>Density</b>	1,10 - 1,50 gr/cm <sup>3</sup>
<b>Tolerance</b>	DIN ISO E2





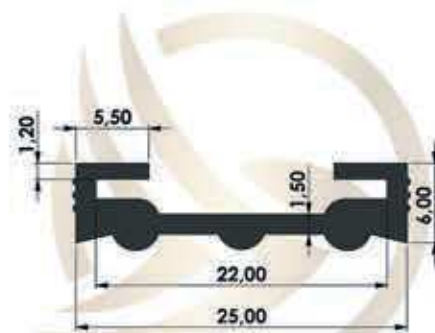
## OSLTR-0484

<b>Material</b>	EPDM- TPE - PVC
<b>Color</b>	Black
<b>Hardness</b>	50 - 80 Shore A
<b>Density</b>	1,10 - 1,50 gr/cm <sup>3</sup>
<b>Tolerance</b>	DIN ISO E2



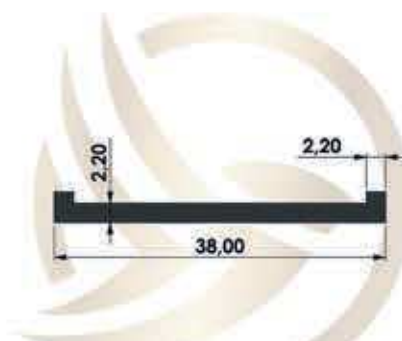
## OSLTR-0567

<b>Material</b>	EPDM- TPE - PVC
<b>Color</b>	Black
<b>Hardness</b>	50 - 80 Shore A
<b>Density</b>	1,10 - 1,50 gr/cm <sup>3</sup>
<b>Tolerance</b>	DIN ISO E2



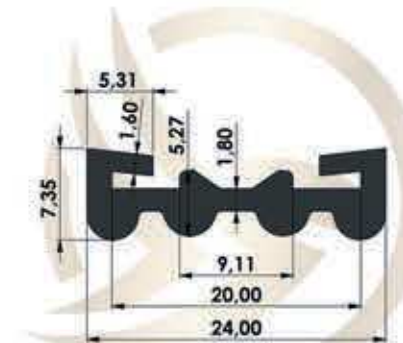
## OSLTR-0568

<b>Material</b>	EPDM- TPE - PVC
<b>Color</b>	Black
<b>Hardness</b>	50 - 80 Shore A
<b>Density</b>	1,10 - 1,50 gr/cm <sup>3</sup>
<b>Tolerance</b>	DIN ISO E2



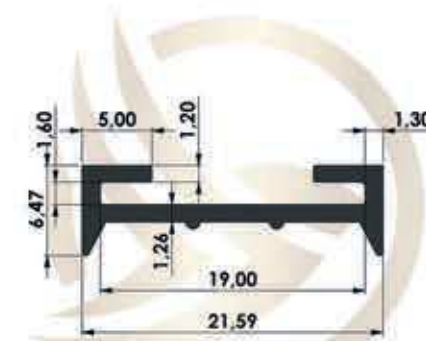
## OSLTR-0569

<b>Material</b>	EPDM- TPE - PVC
<b>Color</b>	Black
<b>Hardness</b>	50 - 80 Shore A
<b>Density</b>	1,10 - 1,50 gr/cm <sup>3</sup>
<b>Tolerance</b>	DIN ISO E2



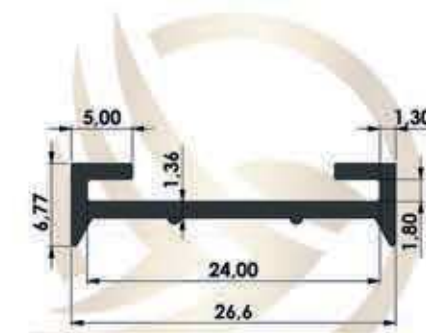
## OSLTR-0624

<b>Material</b>	EPDM- TPE - PVC
<b>Color</b>	Black
<b>Hardness</b>	50 - 80 Shore A
<b>Density</b>	1,10 - 1,50 gr/cm <sup>3</sup>
<b>Tolerance</b>	DIN ISO E2



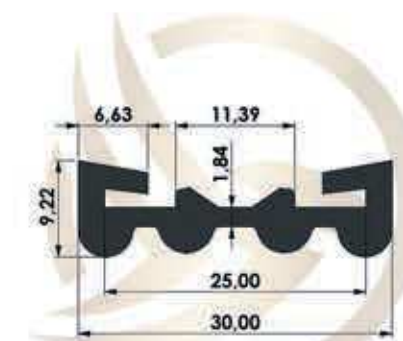
## OSLTR-0638

<b>Material</b>	EPDM- TPE - PVC
<b>Color</b>	Black
<b>Hardness</b>	50 - 80 Shore A
<b>Density</b>	1,10 - 1,50 gr/cm <sup>3</sup>
<b>Tolerance</b>	DIN ISO E2



## OSLTR-0639

<b>Material</b>	EPDM- TPE - PVC
<b>Color</b>	Black
<b>Hardness</b>	50 - 80 Shore A
<b>Density</b>	1,10 - 1,50 gr/cm <sup>3</sup>
<b>Tolerance</b>	DIN ISO E2

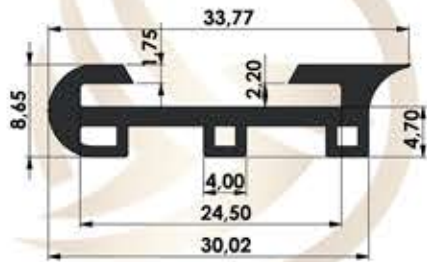


## OSLTR-0738

<b>Material</b>	EPDM- TPE - PVC
<b>Color</b>	Black
<b>Hardness</b>	50 - 80 Shore A
<b>Density</b>	1,10 - 1,50 gr/cm <sup>3</sup>
<b>Tolerance</b>	DIN ISO E2



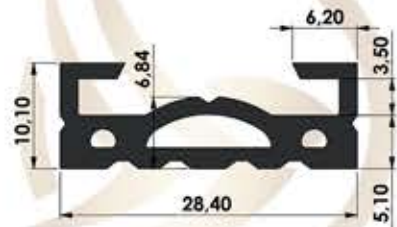
## OSLTR-0796



<b>Material</b>	EPDM- TPE - PVC
<b>Color</b>	Black
<b>Hardness</b>	50 - 80 Shore A
<b>Density</b>	1,10 - 1,50 gr/cm <sup>3</sup>
<b>Tolerance</b>	DIN ISO E2



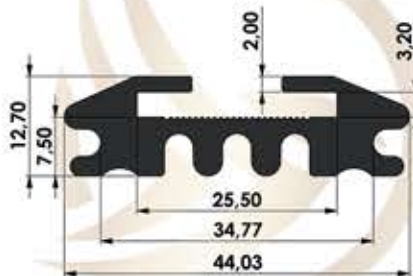
## OSLTR-0797



<b>Material</b>	EPDM- TPE - PVC
<b>Color</b>	Black
<b>Hardness</b>	50 - 80 Shore A
<b>Density</b>	1,10 - 1,50 gr/cm <sup>3</sup>
<b>Tolerance</b>	DIN ISO E2



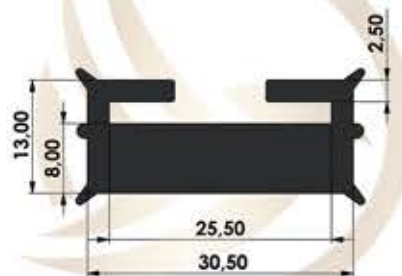
## OSLTR-0838



<b>Material</b>	EPDM- TPE - PVC
<b>Color</b>	Black
<b>Hardness</b>	50 - 80 Shore A
<b>Density</b>	1,10 - 1,50 gr/cm <sup>3</sup>
<b>Tolerance</b>	DIN ISO E2



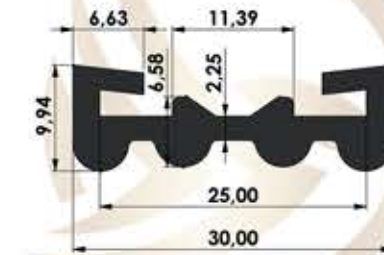
## OSLTR-0839



<b>Material</b>	EPDM- TPE - PVC
<b>Color</b>	Black
<b>Hardness</b>	50 - 80 Shore A
<b>Density</b>	1,10 - 1,50 gr/cm <sup>3</sup>
<b>Tolerance</b>	DIN ISO E2



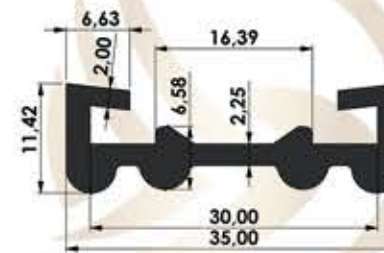
## OSLTR-1089



<b>Material</b>	EPDM- TPE - PVC
<b>Color</b>	Black
<b>Hardness</b>	50 - 80 Shore A
<b>Density</b>	1,10 - 1,50 gr/cm <sup>3</sup>
<b>Tolerance</b>	DIN ISO E2



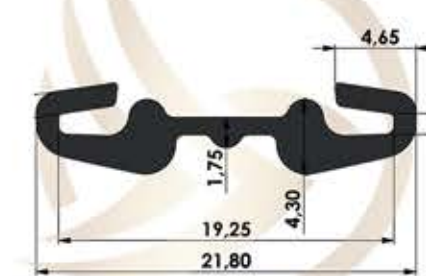
## OSLTR-1090



<b>Material</b>	EPDM- TPE - PVC
<b>Color</b>	Black
<b>Hardness</b>	50 - 80 Shore A
<b>Density</b>	1,10 - 1,50 gr/cm <sup>3</sup>
<b>Tolerance</b>	DIN ISO E2



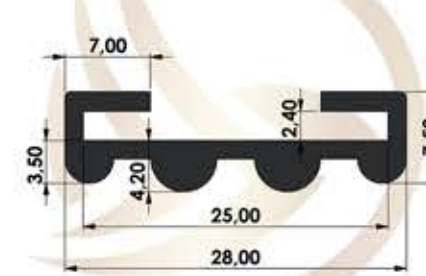
## OSLTR-1238



<b>Material</b>	EPDM- TPE - PVC
<b>Color</b>	Black
<b>Hardness</b>	50 - 80 Shore A
<b>Density</b>	1,10 - 1,50 gr/cm <sup>3</sup>
<b>Tolerance</b>	DIN ISO E2



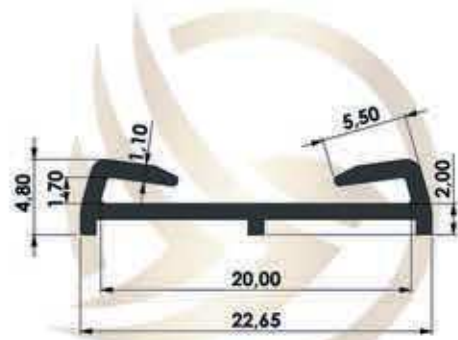
## OSLTR-1239



<b>Material</b>	EPDM- TPE - PVC
<b>Color</b>	Black
<b>Hardness</b>	50 - 80 Shore A
<b>Density</b>	1,10 - 1,50 gr/cm <sup>3</sup>
<b>Tolerance</b>	DIN ISO E2



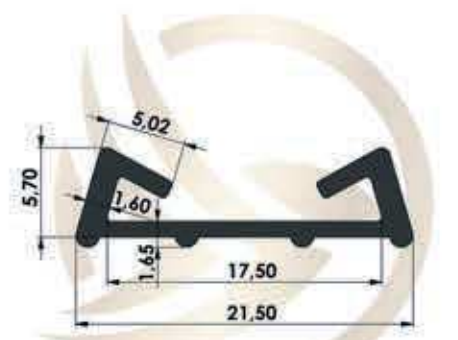
## OSLTR-1374



<b>Material</b>	EPDM- TPE - PVC
<b>Color</b>	Black
<b>Hardness</b>	50 - 80 Shore A
<b>Density</b>	1,10 - 1,50 gr/cm <sup>3</sup>
<b>Tolerance</b>	DIN ISO E2



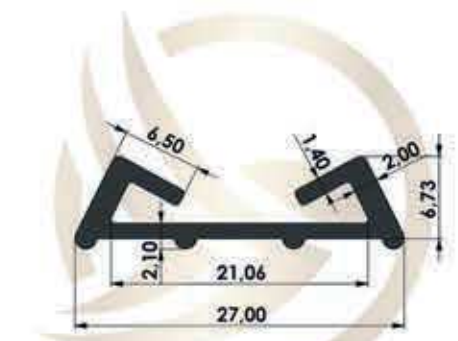
## OSLTR-1381



<b>Material</b>	EPDM- TPE - PVC
<b>Color</b>	Black
<b>Hardness</b>	50 - 80 Shore A
<b>Density</b>	1,10 - 1,50 gr/cm <sup>3</sup>
<b>Tolerance</b>	DIN ISO E2



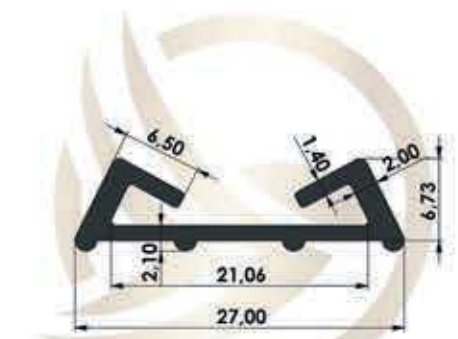
## OSLTR-1382



<b>Material</b>	EPDM- TPE - PVC
<b>Color</b>	Black
<b>Hardness</b>	50 - 80 Shore A
<b>Density</b>	1,10 - 1,50 gr/cm <sup>3</sup>
<b>Tolerance</b>	DIN ISO E2



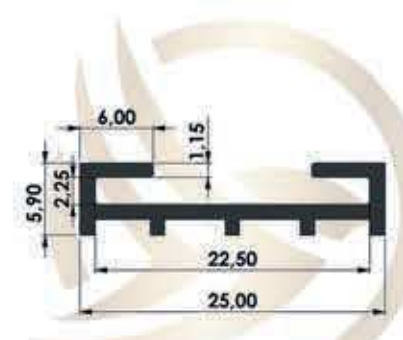
## OSLTR-1383



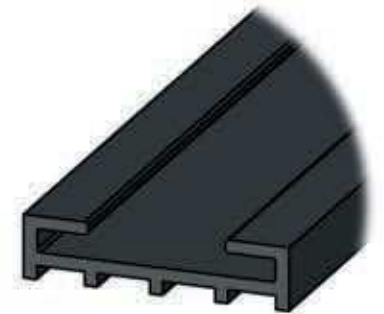
<b>Material</b>	EPDM- TPE - PVC
<b>Color</b>	Black
<b>Hardness</b>	50 - 80 Shore A
<b>Density</b>	1,10 - 1,50 gr/cm <sup>3</sup>
<b>Tolerance</b>	DIN ISO E2



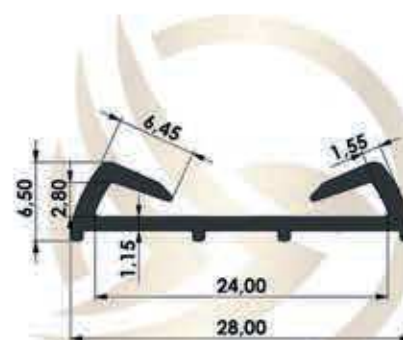
## OSLTR-1384



<b>Material</b>	EPDM- TPE - PVC
<b>Color</b>	Black
<b>Hardness</b>	50 - 80 Shore A
<b>Density</b>	1,10 - 1,50 gr/cm <sup>3</sup>
<b>Tolerance</b>	DIN ISO E2



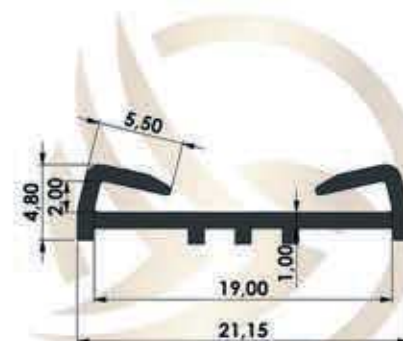
## OSLTR-1413



<b>Material</b>	EPDM- TPE - PVC
<b>Color</b>	Black
<b>Hardness</b>	50 - 80 Shore A
<b>Density</b>	1,10 - 1,50 gr/cm <sup>3</sup>
<b>Tolerance</b>	DIN ISO E2



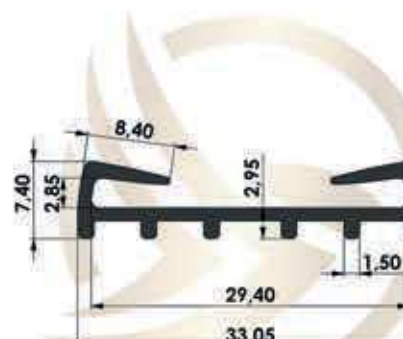
## OSLTR-1416



<b>Material</b>	EPDM- TPE - PVC
<b>Color</b>	Black
<b>Hardness</b>	50 - 80 Shore A
<b>Density</b>	1,10 - 1,50 gr/cm <sup>3</sup>
<b>Tolerance</b>	DIN ISO E2



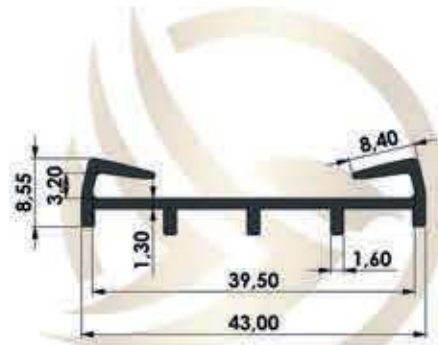
## OSLTR-1430



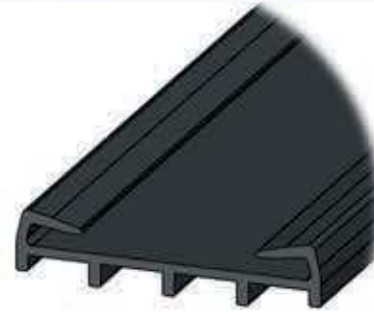
<b>Material</b>	EPDM- TPE - PVC
<b>Color</b>	Black
<b>Hardness</b>	50 - 80 Shore A
<b>Density</b>	1,10 - 1,50 gr/cm <sup>3</sup>
<b>Tolerance</b>	DIN ISO E2



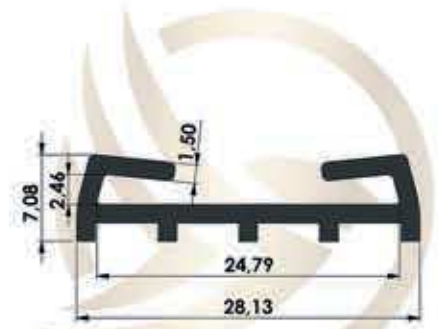
## OSLTR-1431



<b>Material</b>	EPDM- TPE - PVC
<b>Color</b>	Black
<b>Hardness</b>	50 - 80 Shore A
<b>Density</b>	1,10 - 1,50 gr/cm <sup>3</sup>
<b>Tolerance</b>	DIN ISO E2



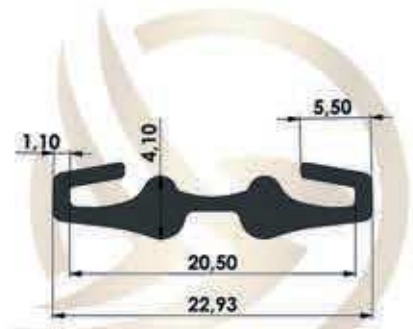
## OSLTR-1473



<b>Material</b>	EPDM- TPE - PVC
<b>Color</b>	Black
<b>Hardness</b>	50 - 80 Shore A
<b>Density</b>	1,10 - 1,50 gr/cm <sup>3</sup>
<b>Tolerance</b>	DIN ISO E2



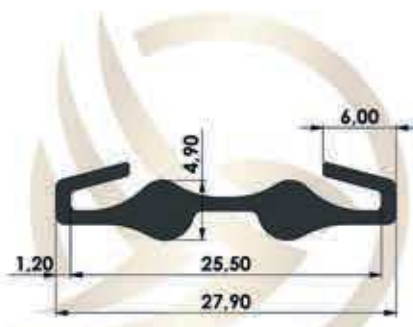
## OSLTR-1487



<b>Material</b>	EPDM- TPE - PVC
<b>Color</b>	Black
<b>Hardness</b>	50 - 80 Shore A
<b>Density</b>	1,10 - 1,50 gr/cm <sup>3</sup>
<b>Tolerance</b>	DIN ISO E2



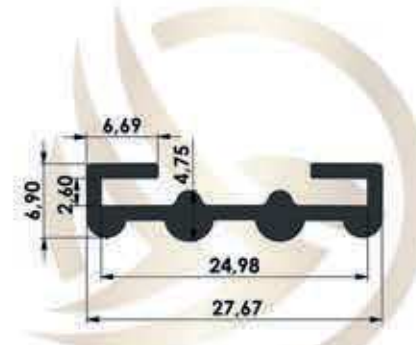
## OSLTR-1488



<b>Material</b>	EPDM- TPE - PVC
<b>Color</b>	Black
<b>Hardness</b>	50 - 80 Shore A
<b>Density</b>	1,10 - 1,50 gr/cm <sup>3</sup>
<b>Tolerance</b>	DIN ISO E2



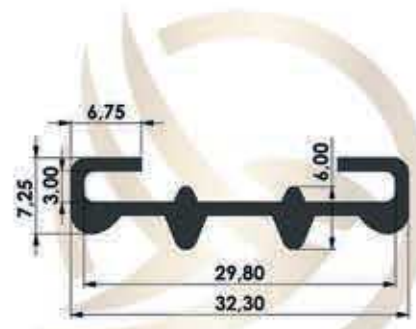
## OSLTR-1496



<b>Material</b>	EPDM- TPE - PVC
<b>Color</b>	Black
<b>Hardness</b>	50 - 80 Shore A
<b>Density</b>	1,10 - 1,50 gr/cm <sup>3</sup>
<b>Tolerance</b>	DIN ISO E2



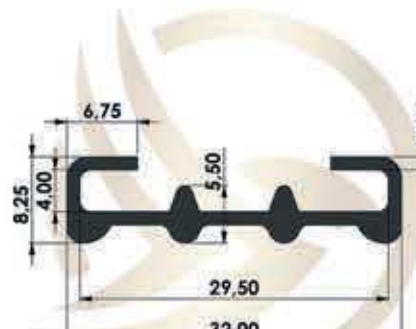
## OSLTR-1497



<b>Material</b>	EPDM- TPE - PVC
<b>Color</b>	Black
<b>Hardness</b>	50 - 80 Shore A
<b>Density</b>	1,10 - 1,50 gr/cm <sup>3</sup>
<b>Tolerance</b>	DIN ISO E2



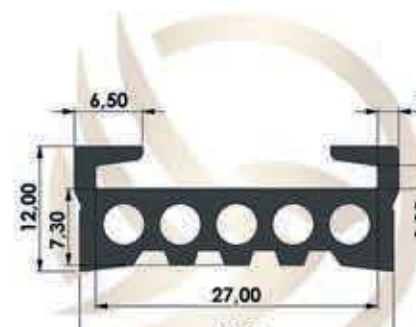
## OSLTR-1498



<b>Material</b>	EPDM- TPE - PVC
<b>Color</b>	Black
<b>Hardness</b>	50 - 80 Shore A
<b>Density</b>	1,10 - 1,50 gr/cm <sup>3</sup>
<b>Tolerance</b>	DIN ISO E2



## OSLTR-1590

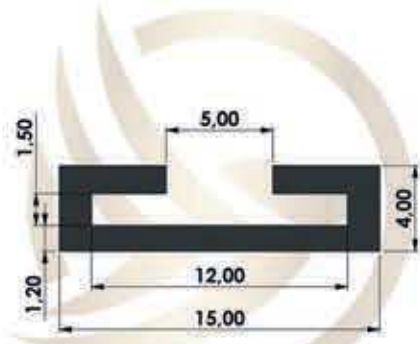


<b>Material</b>	EPDM- TPE - PVC
<b>Color</b>	Black
<b>Hardness</b>	50 - 80 Shore A
<b>Density</b>	1,10 - 1,50 gr/cm <sup>3</sup>
<b>Tolerance</b>	DIN ISO E2





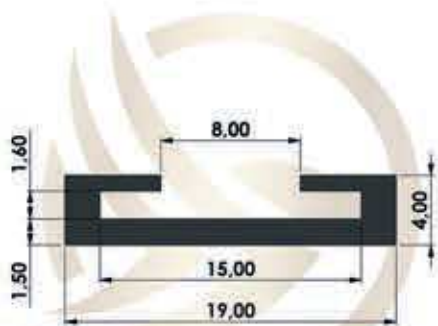
OSLTR-1819



**Material** EPDM- TPE - PVC  
**Color** Black  
**Hardness** 50 - 80 Shore A  
**Density** 1,10 - 1,50 gr/cm<sup>3</sup>  
**Tolerance** DIN ISO E2



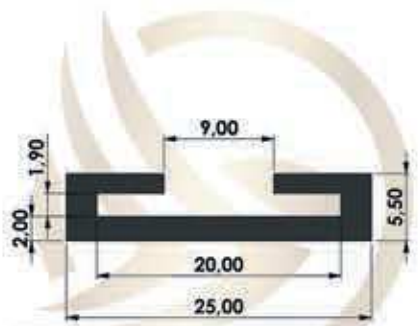
OSLTR-1820



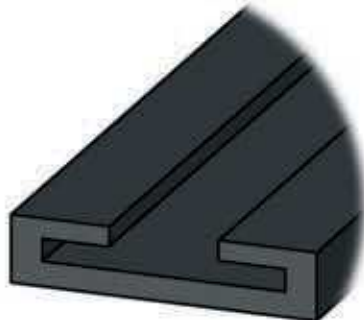
**Material** EPDM- TPE - PVC  
**Color** Black  
**Hardness** 50 - 80 Shore A  
**Density** 1,10 - 1,50 gr/cm<sup>3</sup>  
**Tolerance** DIN ISO E2



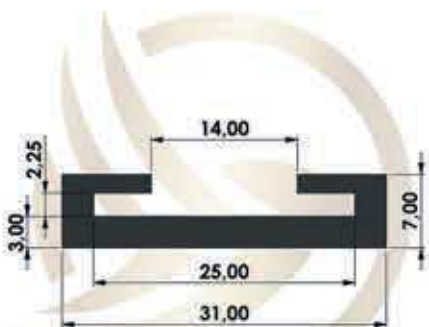
OSLTR-1821



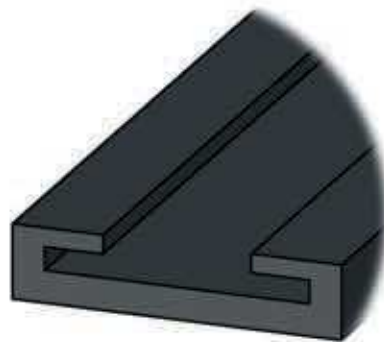
**Material** EPDM- TPE - PVC  
**Color** Black  
**Hardness** 50 - 80 Shore A  
**Density** 1,10 - 1,50 gr/cm<sup>3</sup>  
**Tolerance** DIN ISO E2



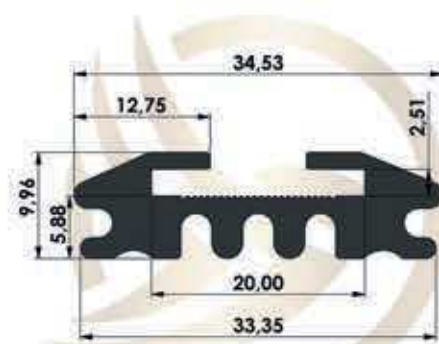
OSLTR-1822



**Material** EPDM- TPE - PVC  
**Color** Black  
**Hardness** 50 - 80 Shore A  
**Density** 1,10 - 1,50 gr/cm<sup>3</sup>  
**Tolerance** DIN ISO E2



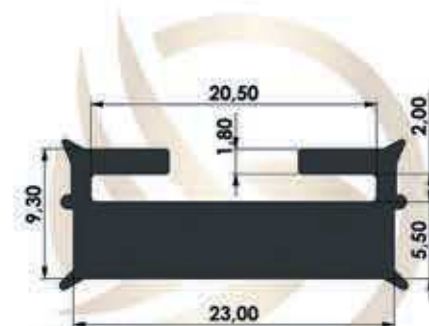
OSLTR-2096



**Material** EPDM- TPE - PVC  
**Color** Black  
**Hardness** 50 - 80 Shore A  
**Density** 1,10 - 1,50 gr/cm<sup>3</sup>  
**Tolerance** DIN ISO E2



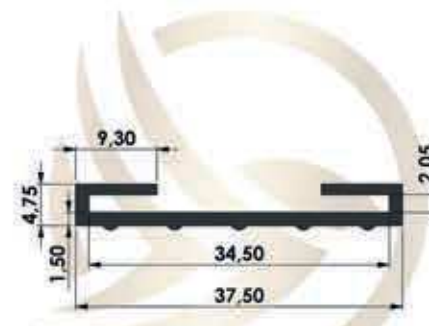
OSLTR-2097



**Material** EPDM- TPE - PVC  
**Color** Black  
**Hardness** 50 - 80 Shore A  
**Density** 1,10 - 1,50 gr/cm<sup>3</sup>  
**Tolerance** DIN ISO E2



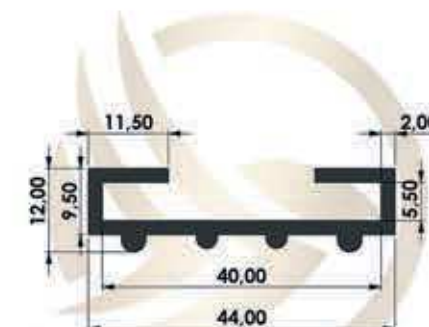
OSLTR-2129



**Material** EPDM- TPE - PVC  
**Color** Black  
**Hardness** 50 - 80 Shore A  
**Density** 1,10 - 1,50 gr/cm<sup>3</sup>  
**Tolerance** DIN ISO E2



OSLTR-2181



**Material** EPDM- TPE - PVC  
**Color** Black  
**Hardness** 50 - 80 Shore A  
**Density** 1,10 - 1,50 gr/cm<sup>3</sup>  
**Tolerance** DIN ISO E2

